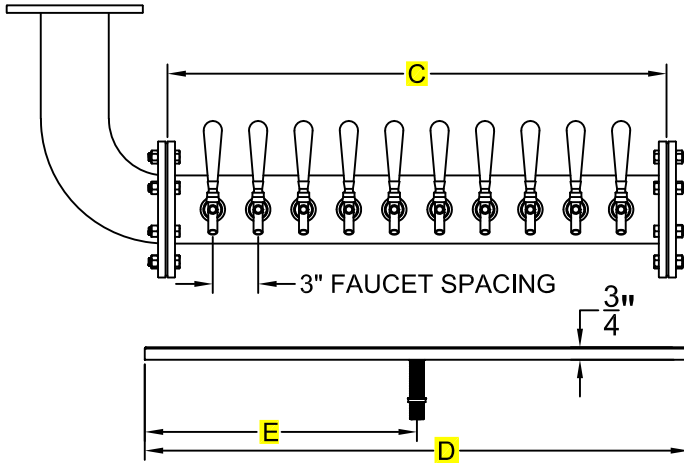
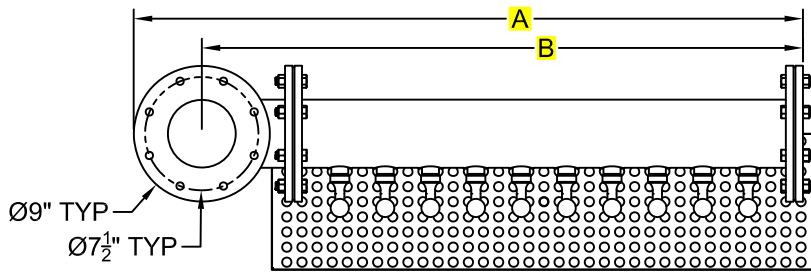


FAIS DO DO

SOFFIT MOUNT TOWER

PROJECT NAME: _____ ITEM #: _____

APPROVED BY: _____ DATE: _____



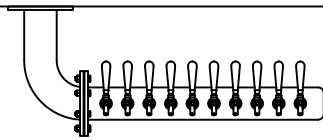
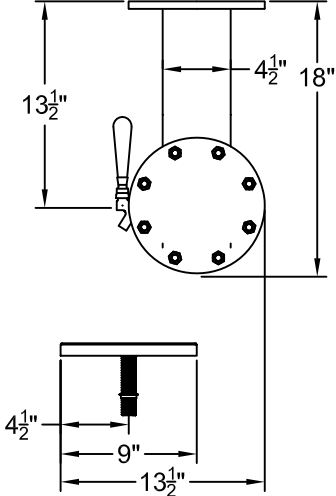
TOWER NOMENCLATURE:
FAIS DO DO - 10F - F - CM - SS

STYLE OF TOWER
 NUMBER OF FAUCETS
 MOUNT TYPE
 TOWER FINISH

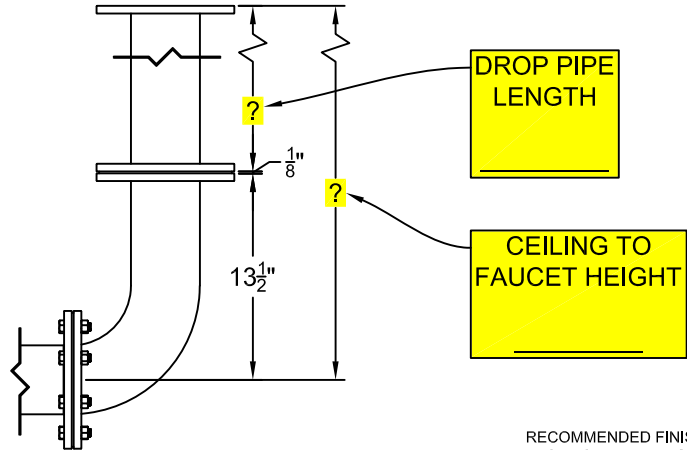
LEGEND: SS = #4 BRUSHED PC = POWDER COATED

INCLUDED HARDWARE: 1/2" - 13 x 5" BOLTS & NUTS
 TOWER MADE OF 304 SCHEDULE 10 STAINLESS STEEL

DISCLAIMERS:
 • CHILL RITE RESERVES THE RIGHT TO CHANGE MEASUREMENTS WITHOUT NOTICE.
 • THIS DRAWING IS THE SOLE PROPERTY OF CHILL RITE MANUFACTURING AND SHOULD NOT BE USED OR RECREATED WITHOUT WRITTEN CONSENT FROM CHILL RITE.
 • TAP HANDLES NOT INCLUDED.
 • COLORATION IS A DIGITAL REPRESENTATION AND DOES NOT REFLECT THE ACTUAL COLOR.



DROP PIPE DETAIL



RECOMMENDED FINISHED FLOOR TO FAUCET CENTER HEIGHT OF 55"-59" AFF

• PLEASE CONTACT FACTORY FOR CUSTOM SMOOTH VERSION •

• PLEASE CHOOSE NUMBER OF FAUCETS BELOW •

▽	FAUCETS	A	B	C	D	E	WEIGHT
<input type="checkbox"/>	4	26.25	21.75	15	18	9	63
<input type="checkbox"/>	5	29.25	24.75	18	18	9	66
<input type="checkbox"/>	6	32.25	27.75	21	18	9	69
<input type="checkbox"/>	7	35.25	30.75	24	27	13.5	72
<input type="checkbox"/>	8	38.25	33.75	27	27	13.5	76
<input type="checkbox"/>	9	41.25	36.75	30	27	13.5	79
<input type="checkbox"/>	10	44.25	39.75	33	36	18	82
<input type="checkbox"/>	11	47.25	42.75	36	36	18	85
<input type="checkbox"/>	12	50.25	45.75	39	36	18	88
<input type="checkbox"/>	13	53.25	48.75	42	45	22.5	92
<input type="checkbox"/>	14	56.25	51.75	45	45	22.5	95
<input type="checkbox"/>	15	59.25	54.75	48	45	22.5	98
• TWO DRAINS REQUIRED ON ALL DRIP PANS OVER 45" WIDE •							
<input type="checkbox"/>	16	62.25	57.75	51	54	18	101
<input type="checkbox"/>	17	65.25	60.75	54	54	18	104
<input type="checkbox"/>	18	68.25	63.75	57	54	18	107

• PLEASE CHOOSE ONE TOWER FINISH •

#4 BRUSHED-SS POWDER COATED-PC RAL #

• PLEASE CHOOSE LEG SIDE - LOOKING AT FAUCETS •

LEFT SIDE

RIGHT SIDE



ALL MEASUREMENTS ARE IN INCHES AND WEIGHTS IN POUNDS UNLESS OTHERWISE NOTED

• IF GLASS RINSER IS REQUIRED PLEASE CHOOSE LOCATION •

CENTER or OFFSET

