

CHILL-RITE



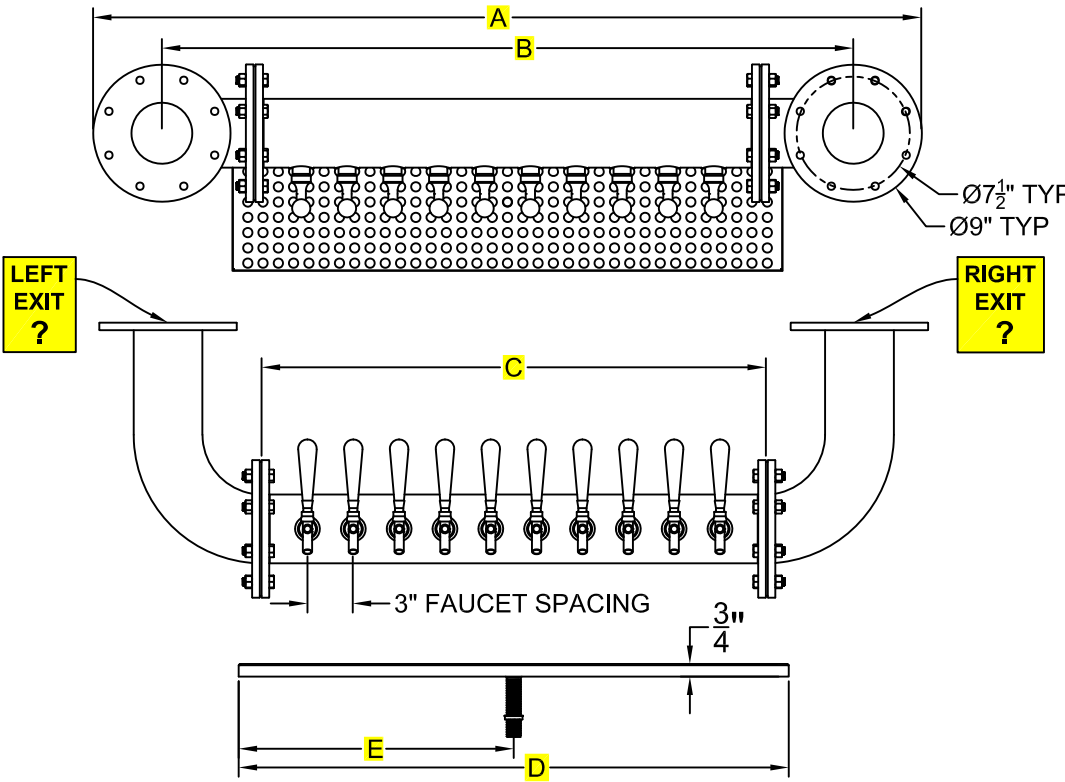
800.256.2190

PIROGUE

SOFFIT MOUNT TOWER

PROJECT NAME: _____ ITEM #: _____

APPROVED BY: _____ DATE: _____



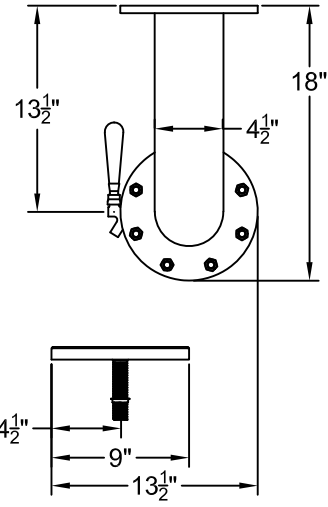
TOWER NOMENCLATURE:
PIROGUE - 10F - F - SM - SS

STYLE OF TOWER
 NUMBER OF FAUCETS
 MOUNT TYPE
 TOWER FINISH

LEGEND: SS = #4 BRUSHED PC = POWDER COATED

INCLUDED HARDWARE: 1/2" - 13 x 5" BOLTS & NUTS
 TOWER MADE OF 304 SCHEDULE 10 STAINLESS STEEL

DISCLAIMERS:
 • CHILL RITE RESERVES THE RIGHT TO CHANGE MEASUREMENTS WITHOUT NOTICE.
 • THIS DRAWING IS THE SOLE PROPERTY OF CHILL RITE MANUFACTURING AND SHOULD NOT BE USED OR RECREATED WITHOUT WRITTEN CONSENT FROM CHILL RITE.
 • TAP HANDLES NOT INCLUDED.
 • COLORATION IS A DIGITAL REPRESENTATION AND DOES NOT REFLECT THE ACTUAL COLOR.



PLEASE CHOOSE NUMBER OF FAUCETS BELOW

FAUCETS	A	B	C	D	E	WEIGHT
<input type="checkbox"/> 4	36.25	27.25	15	18	9	78
<input type="checkbox"/> 5	39.25	30.25	18	18	9	82
<input type="checkbox"/> 6	42.25	33.25	21	18	9	85
<input type="checkbox"/> 7	45.25	36.25	24	27	12	88
<input type="checkbox"/> 8	48.25	39.25	27	27	12	92
<input type="checkbox"/> 9	51.25	42.25	30	27	12	95
<input type="checkbox"/> 10	54.25	45.25	33	36	18	98
<input type="checkbox"/> 11	57.25	48.25	36	36	18	102
<input type="checkbox"/> 12	60.25	51.25	39	36	18	105
<input type="checkbox"/> 13	63.25	54.25	42	45	22.5	108
<input type="checkbox"/> 14	66.25	57.25	45	45	22.5	112
<input type="checkbox"/> 15	69.25	60.25	48	45	22.5	115
• TWO DRAINS REQUIRED ON ALL DRIP PANS OVER 45" WIDE •						
<input type="checkbox"/> 16	72.25	63.25	51	54	18	118
<input type="checkbox"/> 17	75.25	66.25	54	54	18	122
<input type="checkbox"/> 18	78.25	69.25	57	54	18	125
• LINES EXIT BOTH SIDES OF TOWER IF OVER 18 FAUCETS •						
<input type="checkbox"/> 19	81.25	72.25	60	63	21	128
<input type="checkbox"/> 20	84.25	75.25	63	63	21	132
<input type="checkbox"/> 21	87.25	78.25	66	63	21	135
<input type="checkbox"/> 22	90.25	81.25	69	72	24	138
<input type="checkbox"/> 23	93.25	84.25	72	72	24	142
<input type="checkbox"/> 24	96.25	87.25	75	72	24	145
<input type="checkbox"/> 25	99.25	90.25	78	81	27	148
<input type="checkbox"/> 26	102.25	93.25	81	81	27	152

PLEASE CHOOSE WHICH SIDE THE LINES EXIT 4-18 FAUCETS

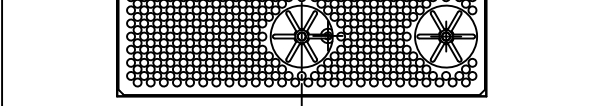
LEFT RIGHT

PLEASE CHOOSE ONE TOWER FINISH

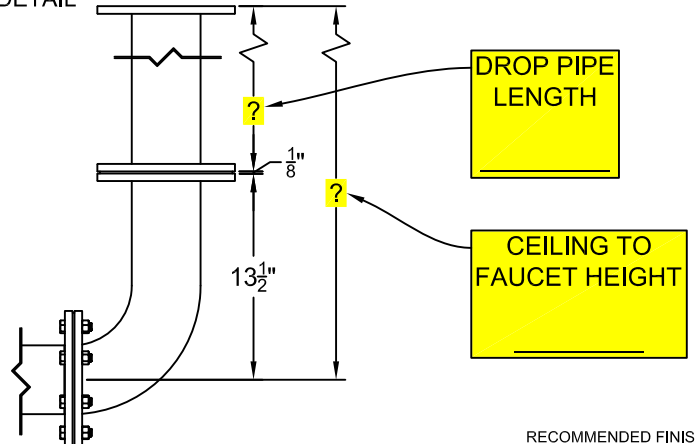
#4 BRUSHED-SS POWDER COATED-PC RAL #

ALL MEASUREMENTS ARE IN INCHES AND WEIGHTS IN POUNDS UNLESS OTHERWISE NOTED

IF GLASS RINSER IS REQUIRED PLEASE CHOOSE LOCATION



DROP PIPE DETAIL



RECOMMENDED FINISHED FLOOR TO FAUCET CENTER HEIGHT OF 55"-59" AFF

